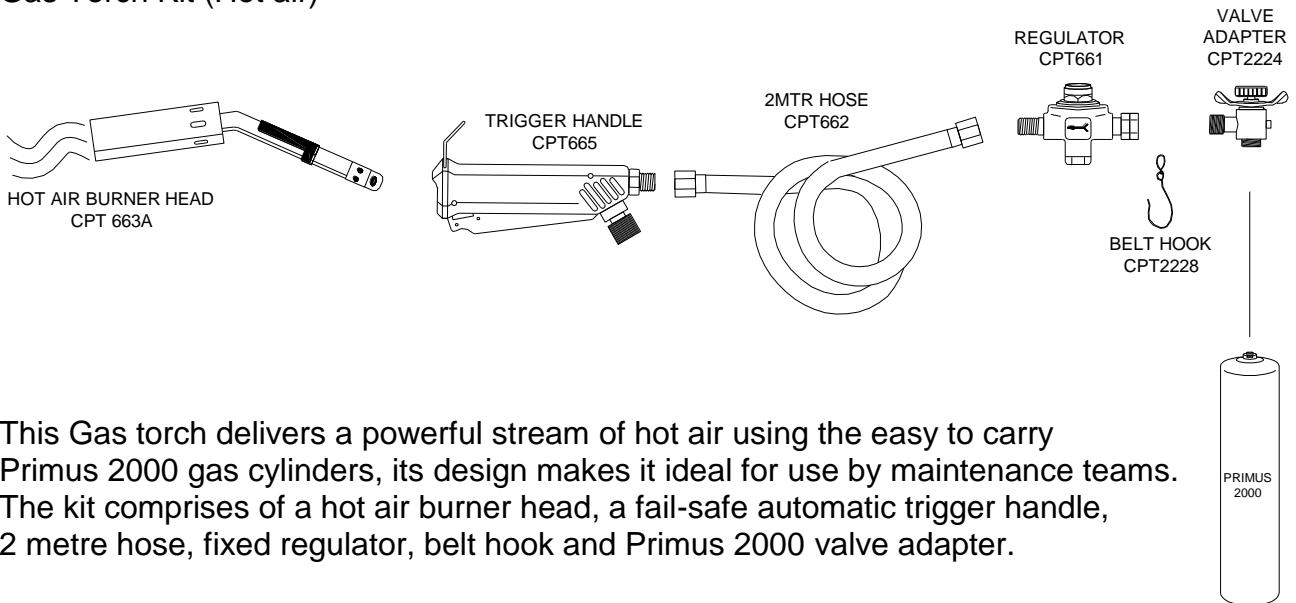


GAS TORCH KITS

GrayBar Gas torch kits have been specially developed for use in the Railway environment. All GrayBar Gas Torch Kits are designed to provide the most efficient heat sources, ideal for use with Heatshrinkable kits both indoors and outdoors.

GBK1306: P.A.D.S. No **054/037088**

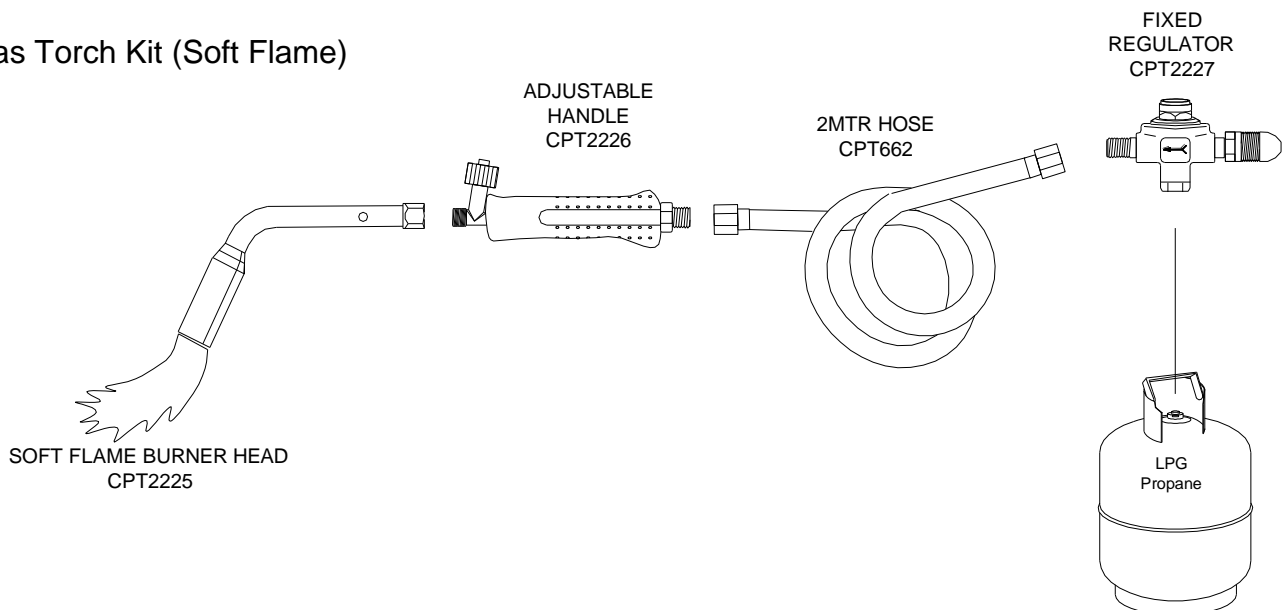
Gas Torch Kit (Hot air)



This Gas torch delivers a powerful stream of hot air using the easy to carry Primus 2000 gas cylinders, its design makes it ideal for use by maintenance teams. The kit comprises of a hot air burner head, a fail-safe automatic trigger handle, 2 metre hose, fixed regulator, belt hook and Primus 2000 valve adapter.

GBK1150: P.A.D.S No **040/017801**

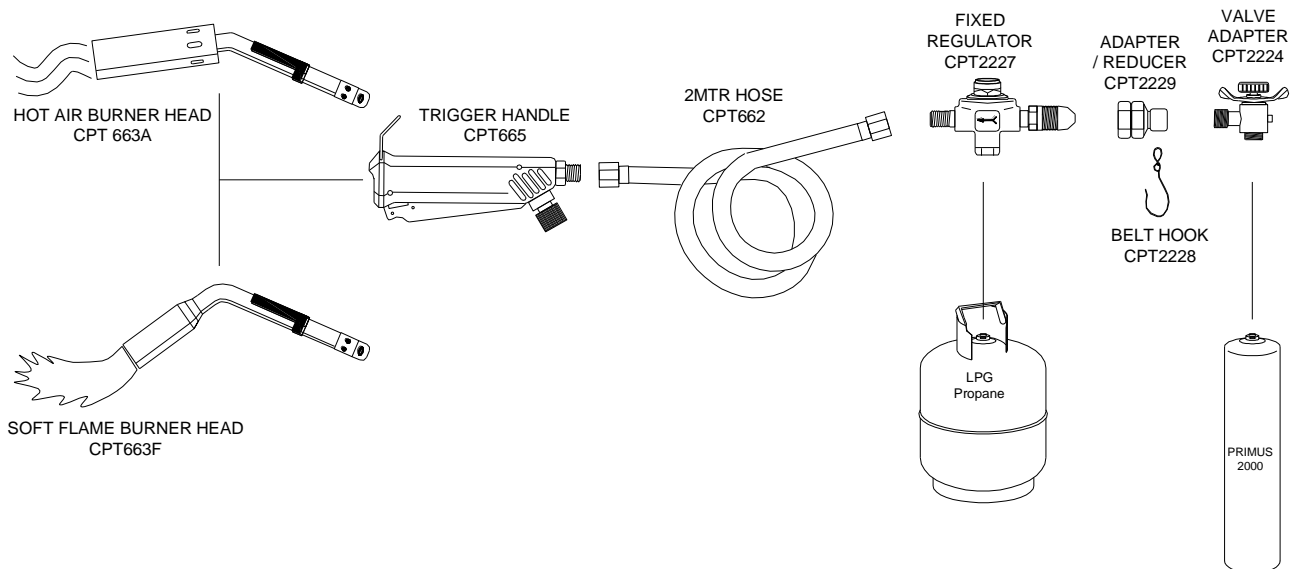
Gas Torch Kit (Soft Flame)



This gas torch delivers a soft flame from standard LPG/BPG gas bottles. It is ideal for use with Low and high Voltage Heatshrinkable jointing systems. The kit comprises of a soft flame burner head, an adjustable handle, 2 metre hose and regulator.

GBK1738

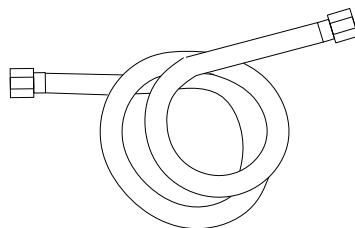
Gas Torch Kit (Universal)



This Gas torch kit is designed for heatshrink jointing and can be used with Primus 2000 or standard LPG/BPG refillable steel containers. The kit comprises of hot air and soft flame burner heads, a fail safe automatic trigger handle, 2 metre hose, fixed regulator, adapter/reducer, belt hook and primus 2000 valve adapter. The kit is complete with carrying case.

CPTK0662: P.A.D.S No. 054/031016

Replacement 2 metre hose.



GBK1674

Gas Torch Kit with Disposable Gas Cylinders. This is a low cost gas torch system.

CPTK1182

Spare Gas Cartridges for use with GBK1674

